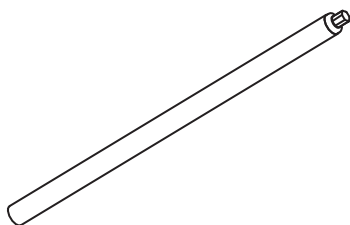
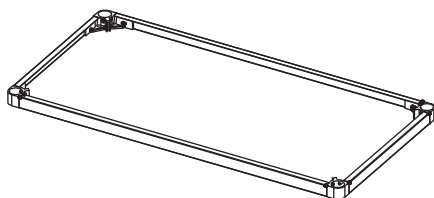


SKU TWTS
PROD Stainless Steel Work Table with Sink
Table de travail avec évier en inox

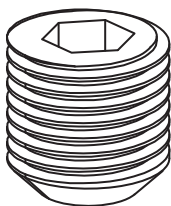
PATTES (4)
LEGS(4)



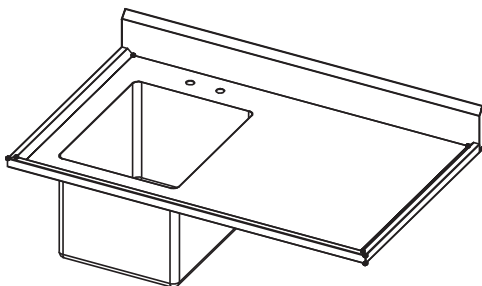
TABLETTE(2)
UNDERSHELF (2)



SCREW (16)
BOULON (16)



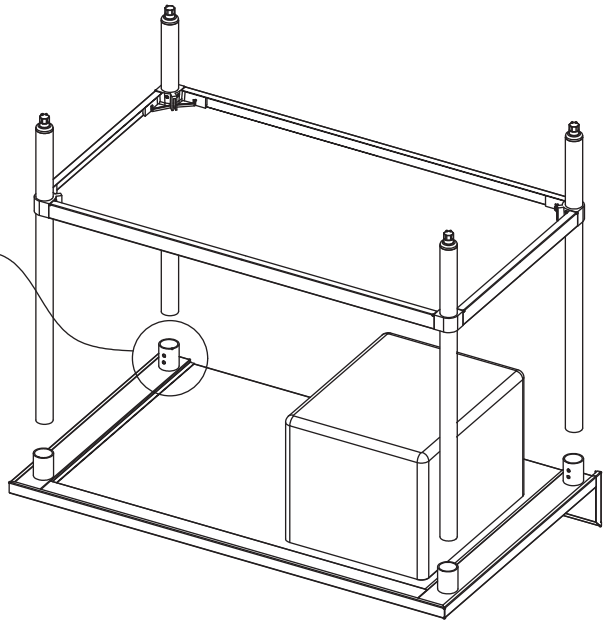
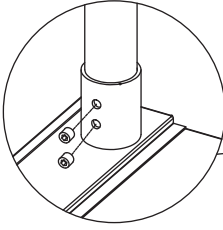
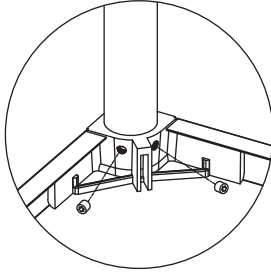
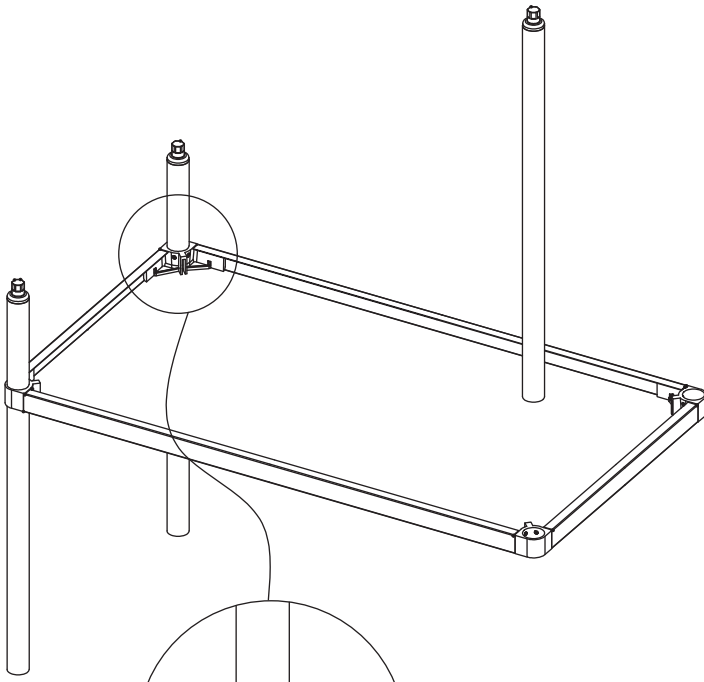
ÉVIER (1)
SINK TOP (1)



SAFETY While we have removed sharp edges, care must be taken when cleaning and/or handling to prevent risk of injury from exposed metal edges

Do not overload sink as it would cause it to bend

CLEANING Clean the surfaces regularly using a cleaning agent suitable for use with stainless steel and galvanized surfaces. Always remove cleaning agent residue, and never leave any surface damp as either may cause discoloration over time.





THORINOX

Assembly / Support



More Products

