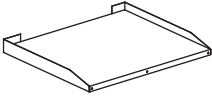
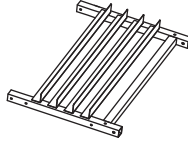


SKU TOS
PROD Stainless Steel Oven Stand
Support à équipement en inox

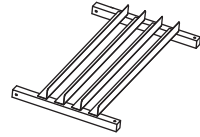
DESSUS DU STAND (1)
STAND TOP (1)



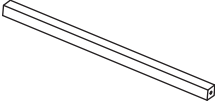
RACK EXTERIEUR (1)
OUTER RACK PIECE(1)



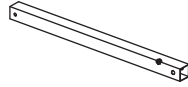
RACK INTÉRIEUR(1)
INNER RACK PIECE(1)



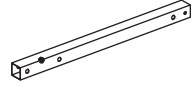
SUPPORT DU DESSUS (3)
TOP SUPPORTS (3)



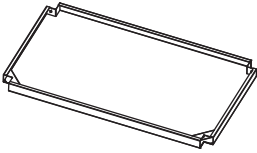
PATTE AVANT (1)
FRONT LEG (1)



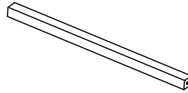
PATTE ARRIÈRE (1)
BACK LEG (1)



TABLETTE (1)
UNDERSHELF (1)



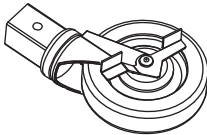
BARRES TRANSVERSALES (2)
CROSSBAR (2)



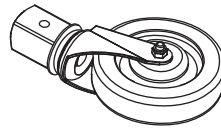
SUPPORT EN "X" (1)
X BAR SSUPPORT (1)



ROULETTES AVEC FREIN (2)
CASTERS WITH BRAKE (2)















ROULETTE (2)
CASTER (2)





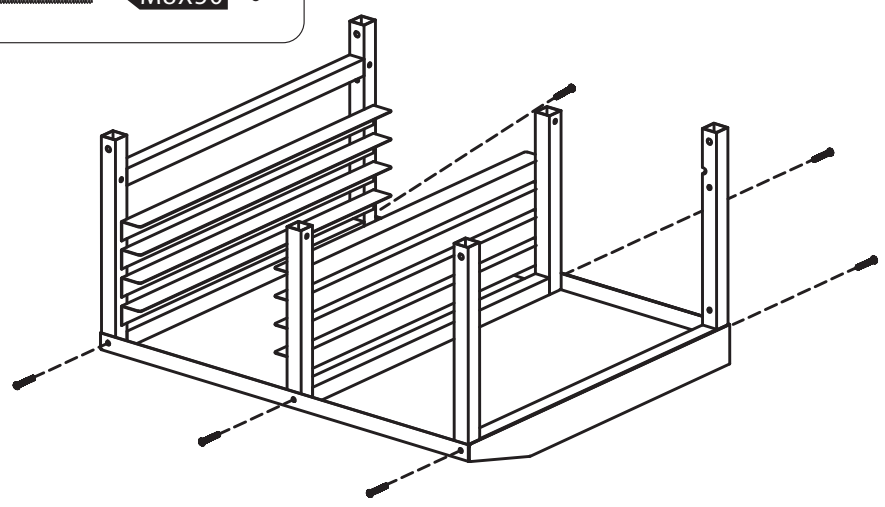
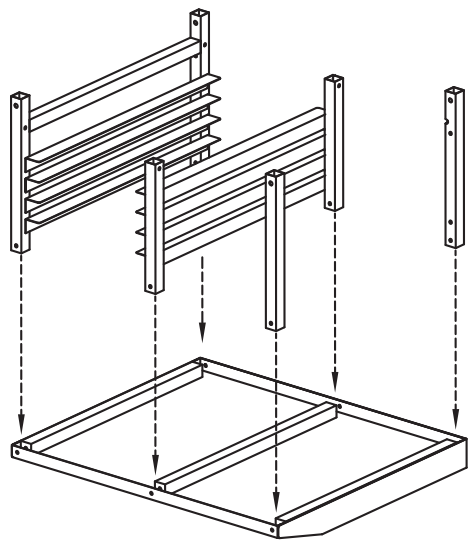
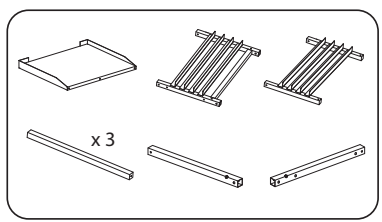
SAFETY While we have removed sharp edges, care must be taken when cleaning and/or handling to prevent risk of injury from exposed metal edges

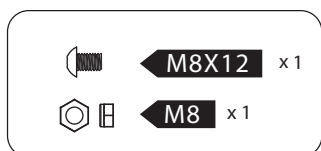
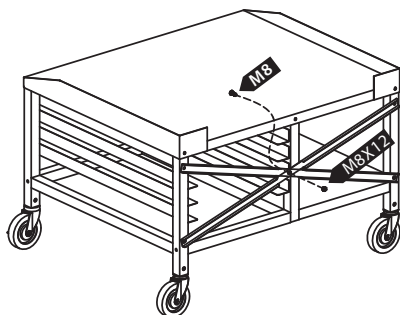
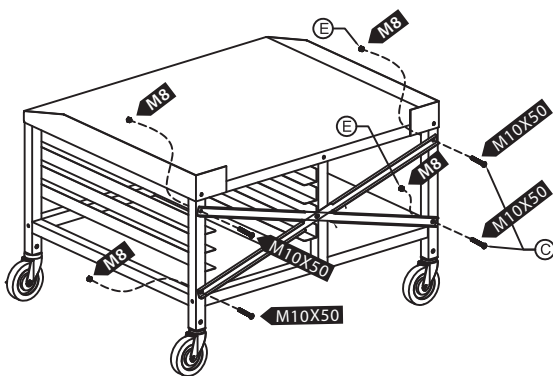
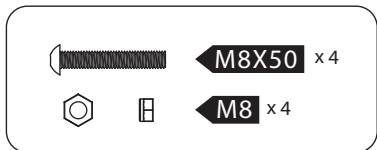
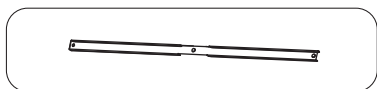
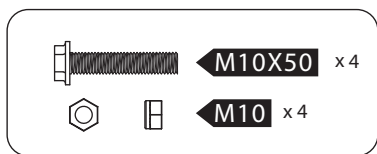
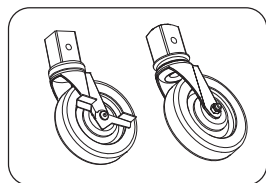
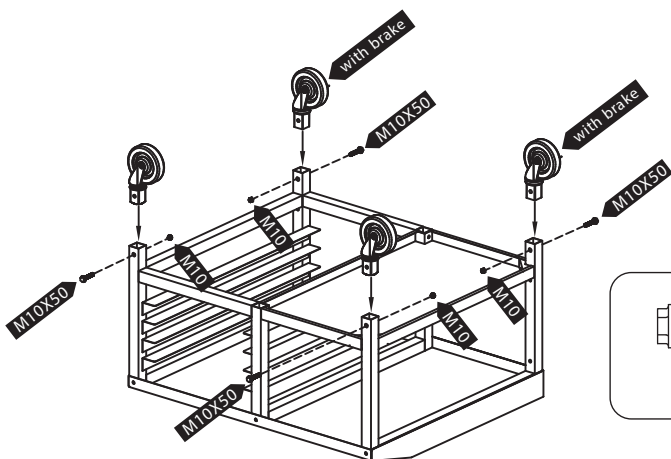
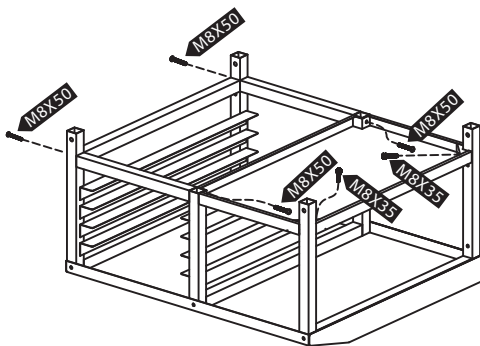
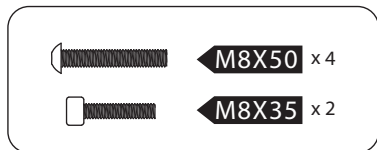
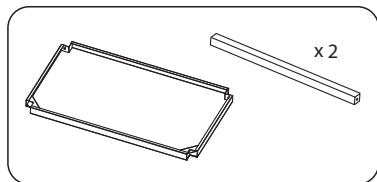
Do not overload sink as it would cause it to bend

CLEANING Clean the surfaces regularly using a cleaning agent suitable for use with stainless steel and galvanized surfaces. Always remove cleaning agent residue, and never leave any surface damp as either may cause discoloration over time.

- VIS M8X35 SCREW (2)  
- VIS M8X12 SCREW (1)  
- VIS M8X50 SCREW (14)  
- VIS M10X50 SCREW (4)  
- BOULON M8 BOLT (5)  
- BOULON M10 BOLT (4)  

- ALLEN KEY M8 (1) 
- ALLEN KEY M10 (1) 







THORINOX

Assembly / Support



More Products

