

30" x 48" POLYTOP WORK TABLE

DSST-3048-PT

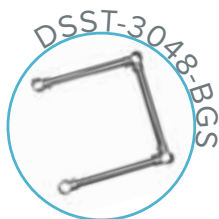
FEATURES

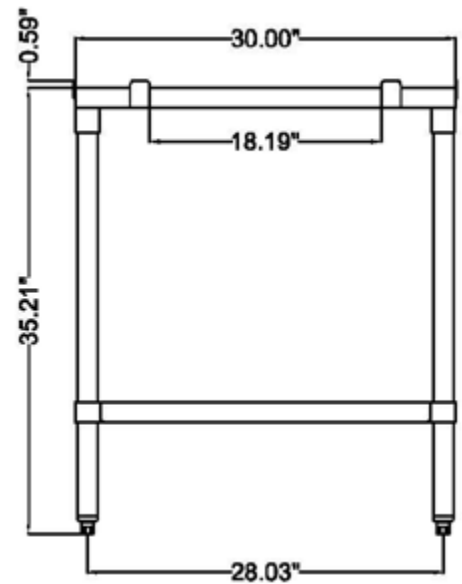
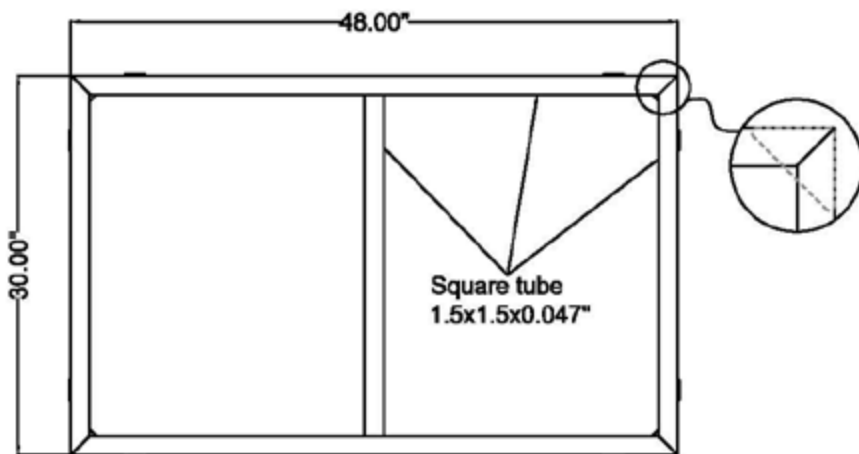
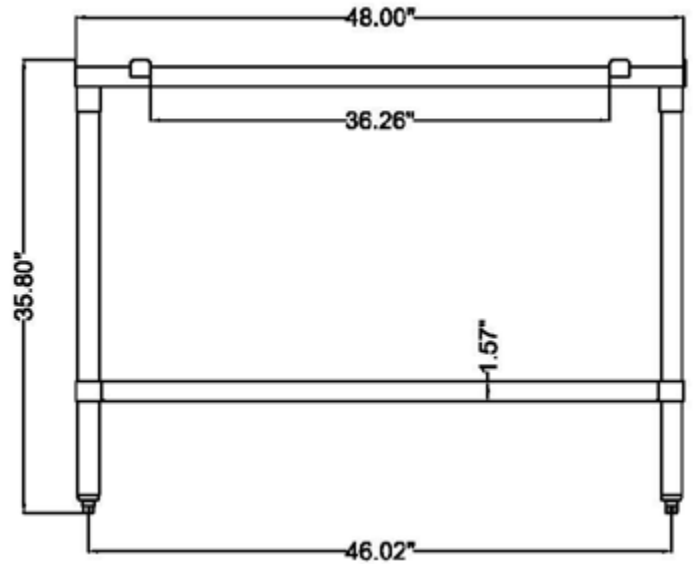
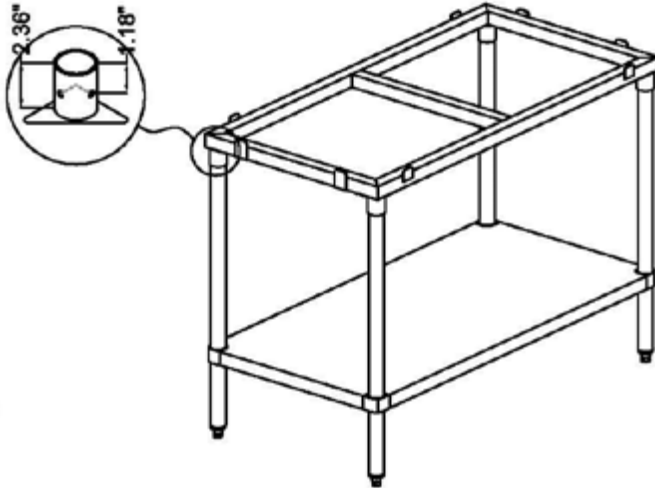
- ✓ Made with high quality 18 gauge, 304 stainless steel
- ✓ Dimensions: 48" x 30" x 34"
- ✓ Cutting boards available in 0.75" and 1" thicknesses
- ✓ Load capacity:
Top: 400lbs Bottom: 110lbs
- ✓ Knock down design: easy to assemble



OPTIONAL ACCESSORIES

- ✓ Brace bar kit
- ✓ Extra stainless steel undershelf
- ✓ Set of swivel casters, 2 regular & 2 with brakes
- ✓ Adjustable 34" stainless steel legs (for a total height of 36")





ASSEMBLY/SUPPORT



f We're on social media! **ig**

1.800.567.3620 | WWW.THORINOX.COM

MORE PRODUCTS

