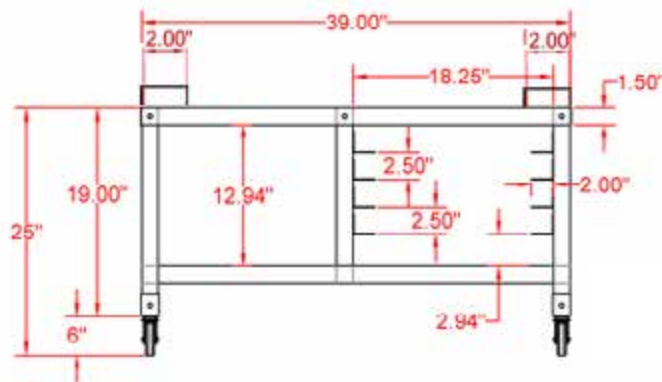
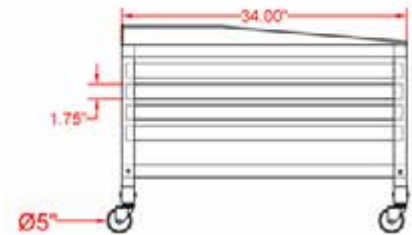
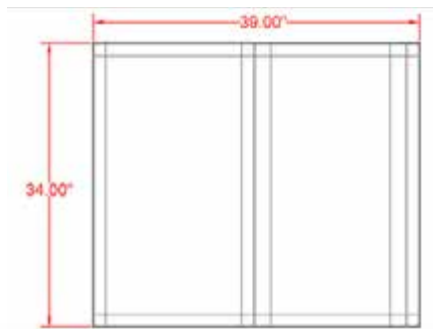


39" x 34" OVEN STAND 4-RACK OVEN STAND TOS-3925-SS

FEATURES

- ✓ Dimensions: 39" x 34" x 25"
- ✓ Ideals for
- ✓ Integrated pan rack & open base
- ✓ 5" caster standard



ASSEMBLY/SUPPORT



f We're on social media! 📷

1.800.567.3620 | WWW.THORINOX.COM

MORE PRODUCTS

