

15" x 72" STAINLESS OPEN STORAGE CABINET TKOC-1572-SS

FEATURES

- ✓ Entirely made of high quality 18 gauge 430 stainless steel
- ✓ Adjustable stainless steel inside shelf included
- ✓ Dimensions: 15" x 72" x 34"
- ✓ Easy to assemble



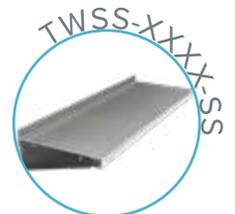
COMPLEMENTARY ACCESSORIES

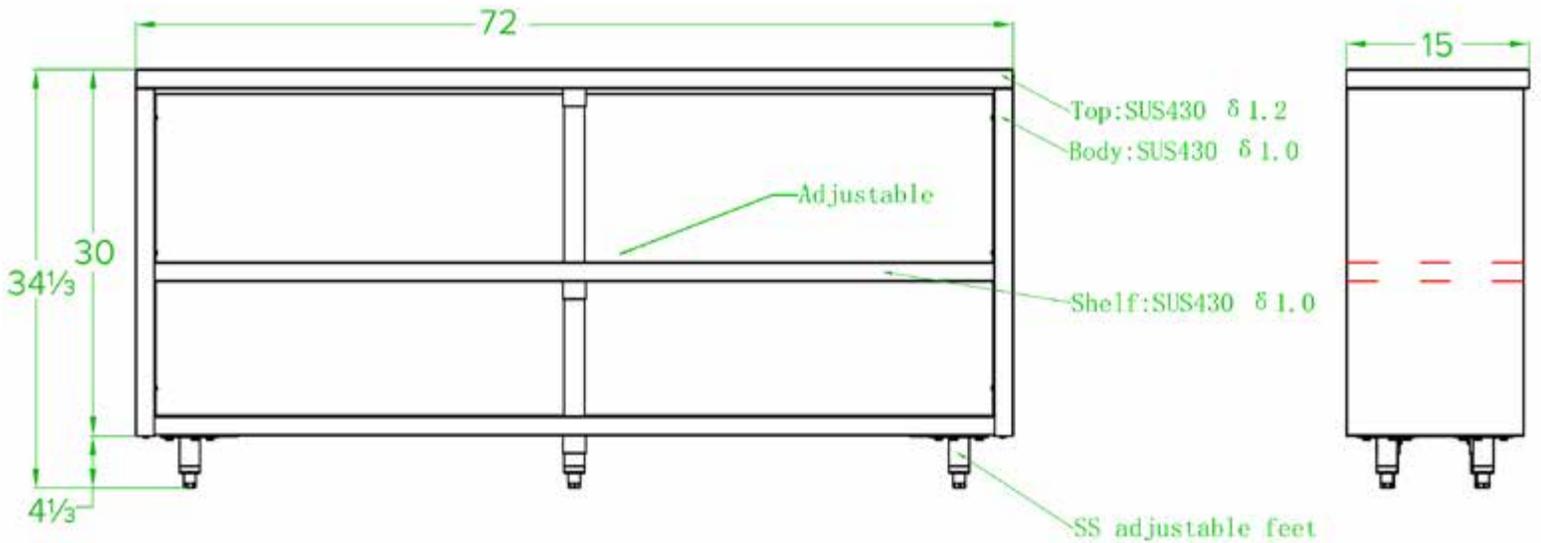
- ✓ Set of swivel casters, 2 regular & 2 with brakes



YOU MIGHT ALSO LIKE...

- ✓ Stainless Steel Cabinet
- ✓ Stainless Steel Shelf





ASSEMBLY/SUPPORT



f We're on social media!

1.800.567.3620 | WWW.THORINOX.COM

MORE PRODUCTS

