

# 15" x 48" STAINLESS OPEN STORAGE CABINET TKOC-1548-SS

## FEATURES

- ✓ Entirely made of high quality 18 gauge 430 stainless steel
- ✓ Adjustable stainless steel inside shelf included
- ✓ Dimensions: 15" x 48" x 34"
- ✓ Easy to assemble



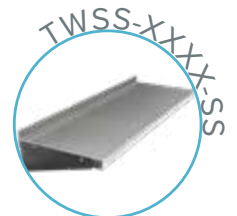
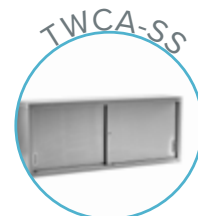
## COMPLEMENTARY ACCESSORIES

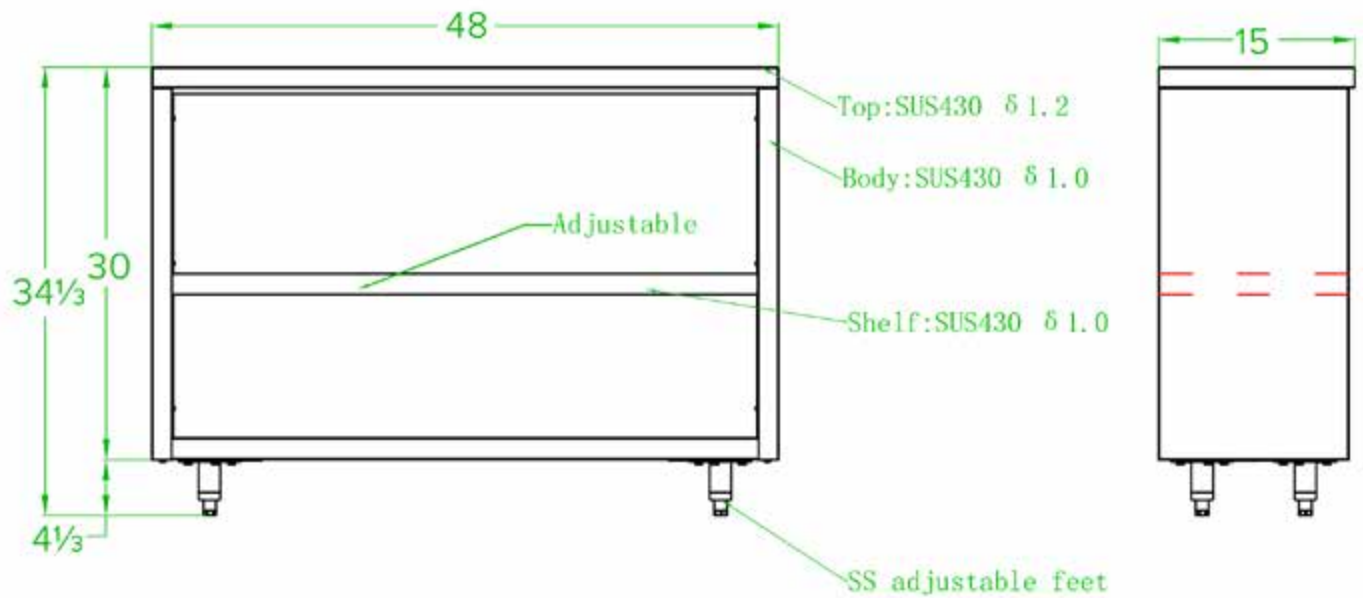
- ✓ Set of swivel casters, 2 regular & 2 with brakes



## YOU MIGHT ALSO LIKE...

- ✓ Stainless Steel Cabinet
- ✓ Stainless Steel Shelf





**ASSEMBLY/SUPPORT**



**f** We're on social media! **ig**

1.800.567.3620 | WWW.THORINOX.COM

**MORE PRODUCTS**

