

16" x 18" STAINLESS HANDSINK FOR AUTOMATIC FAUCET

THS-AF

FEATURES

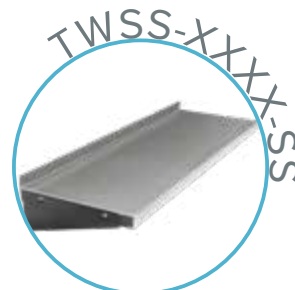
Faucet NOT included

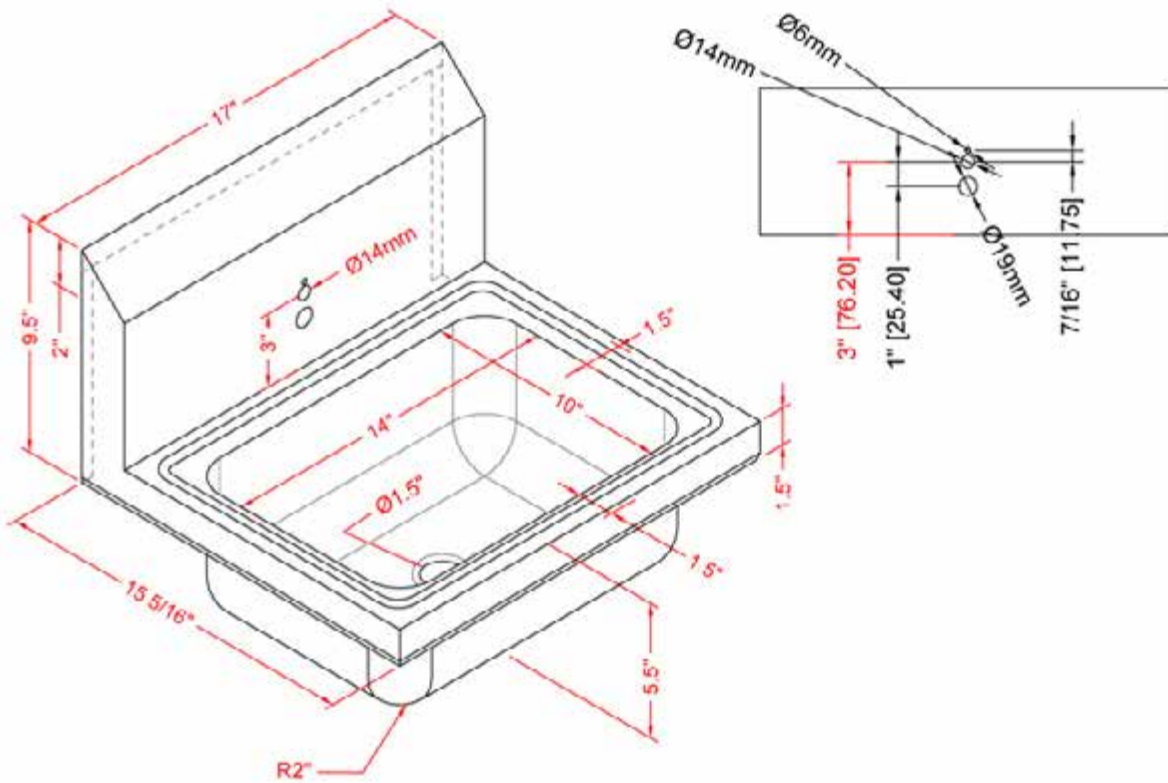
- ✓ Made with high quality 18 gauge 304 stainless steel
- ✓ Overall Dimensions: 17" x 16" x 14"
- ✓ Bowl Dimensions: 14" x 10" x 5"
- ✓ 6.5" backsplash with 45° return
- ✓ Well polished welded seams, curved corners and rolled edges
- ✓ Wall Bracket & 1.5" Drain included



OPTIONAL ACCESSORIES

- ✓ Wall Mount Automatic Faucet
- ✓ Stainless Steel Work Table
- ✓ Stainless Steel Shelf
- ✓ Stainless Steel Cabinets





ASSEMBLY/SUPPORT



We're on social media!

1.800.567.3620 | WWW.THORINOX.COM

MORE PRODUCTS

