

30" x 30" STAINLESS CORNER WORK TABLE TCWT-3030-BKSS

FEATURES

- ✓ Entirely made of high quality 18 gauge 430 stainless steel
- ✓ Dimensions: 37⁷/₈" x 37⁷/₈" x 34" with 5" backsplash
- ✓ Comes with matching undershelf
- ✓ Load capacity:
Top: 330lbs Bottom: 110lbs
- ✓ Knock down design: easy to assemble



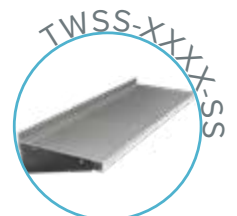
COMPLEMENTARY ACCESSORIES

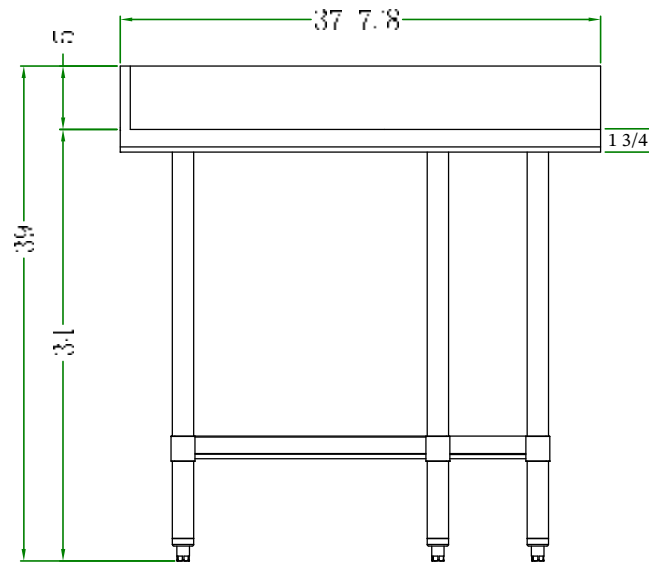
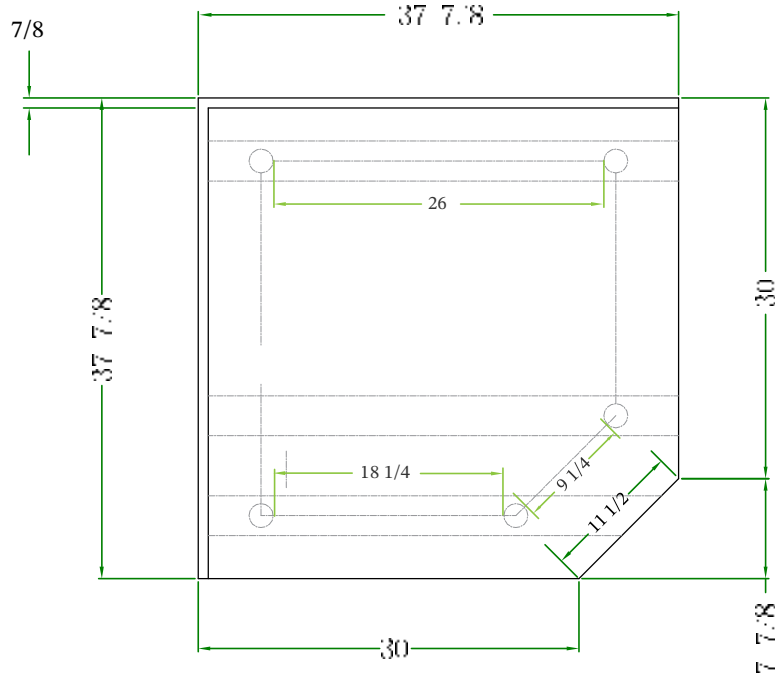
- ✓ Set of swivel casters, 3 regular & 2 with brakes
- ✓ 30" Stainless Steel Work Table



YOU MIGHT ALSO LIKE...

- ✓ Stainless Steel Cabinet
- ✓ Stainless Steel Shelf





ASSEMBLY/SUPPORT



f We're on social media! **i**

1.800.567.3620 | WWW.THORINOX.COM

MORE PRODUCTS

