

# 24" x 24" STAINLESS CORNER WORK TABLE TCWT-2424-BKSS

## FEATURES

- ✓ Entirely made of high quality 18 gauge 430 stainless steel
- ✓ Dimensions: 31<sup>7/8</sup>" x 31<sup>7/8</sup>" x 34" with 5" backsplash
- ✓ Comes with matching undershelf
- ✓ Load capacity:  
Top: 330lbs Bottom: 110lbs
- ✓ Knock down design: easy to assemble



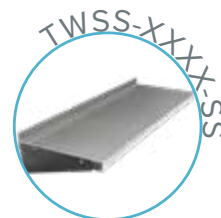
## COMPLEMENTARY ACCESSORIES

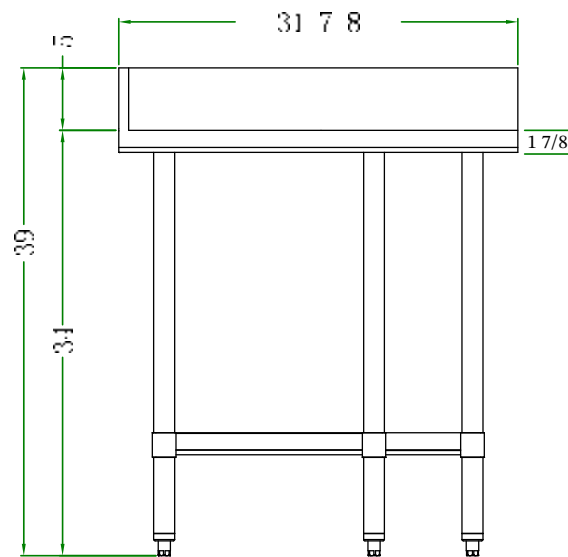
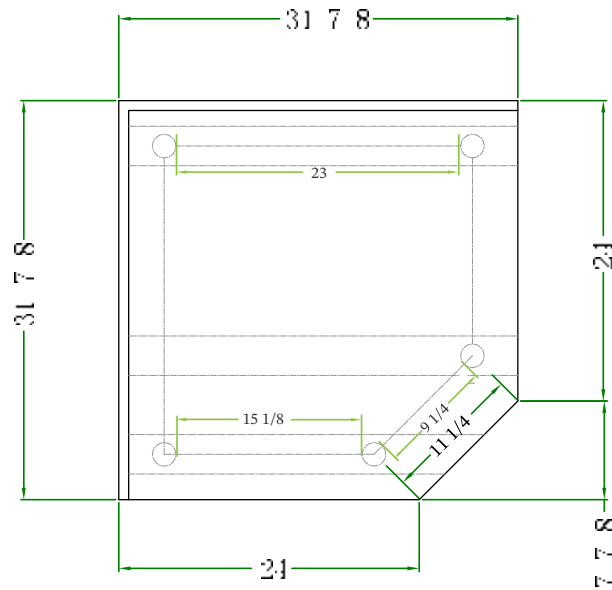
- ✓ Set of swivel casters, 3 regular & 2 with brakes
- ✓ 24" Stainless Steel Work Table



## YOU MIGHT ALSO LIKE...

- ✓ Stainless Steel Cabinet
- ✓ Stainless Steel Shelf





**ASSEMBLY/SUPPORT**



**f** We're on social media! **i**

1.800.567.3620 | WWW.THORINOX.COM

**MORE PRODUCTS**

