

# 24" x 48" STAINLESS EQUIPMENT STAND DSTAND-2448-GS

## FEATURES

- ✓ Entirely made of high quality 18 gauge 430 stainless steel
- ✓ Dimensions: 24" x 48" x 22"
- ✓ Stronger and non-welded corners
- ✓ Galvanized undershelf & legs
- ✓ Easy to assemble



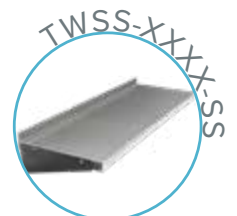
## COMPLEMENTARY ACCESSORIES

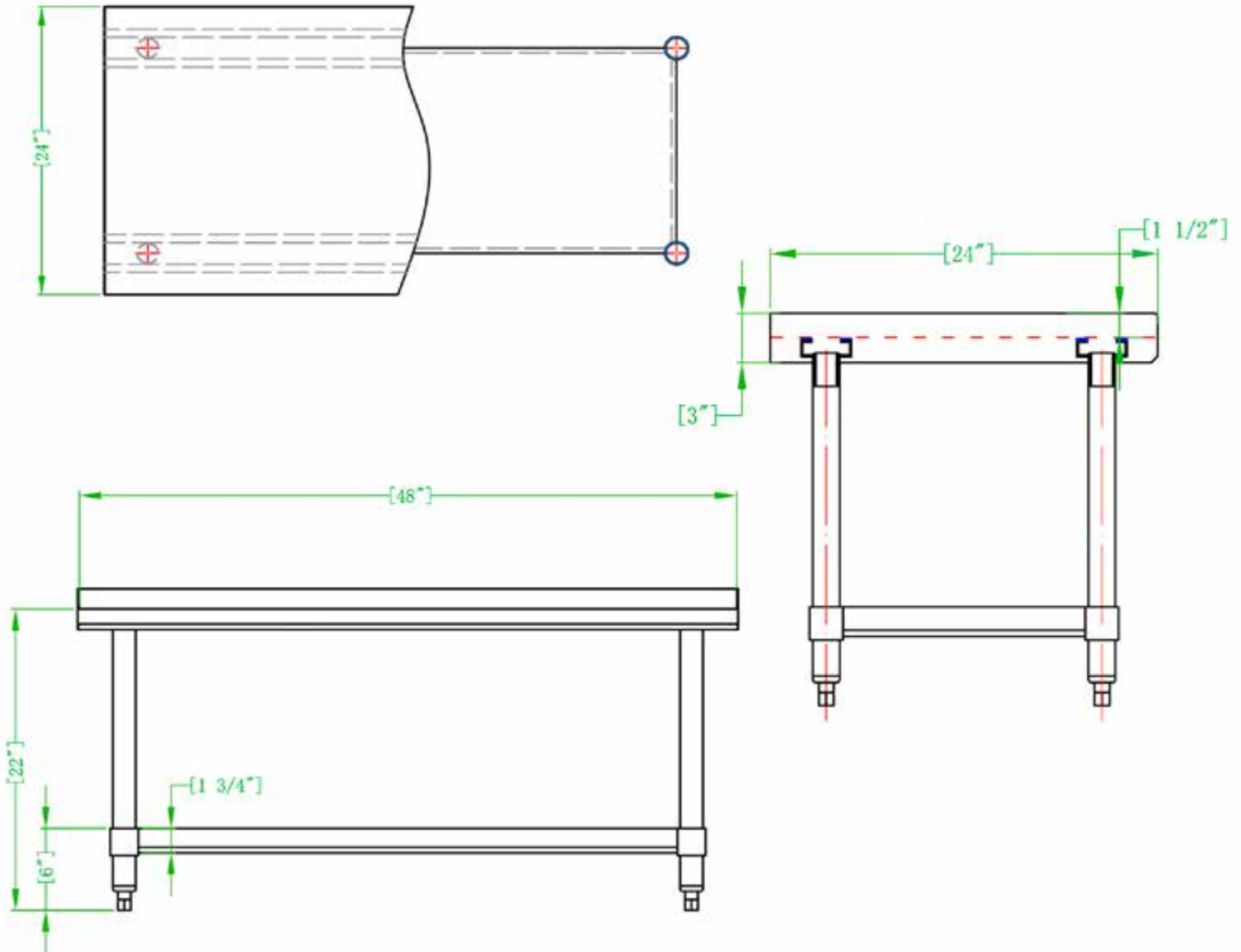
- ✓ Set of swivel casters, 2 regular & 2 with brakes



## YOU MIGHT ALSO LIKE...

- ✓ Stainless Steel Cabinet
- ✓ Stainless Steel Shelf





**ASSEMBLY/SUPPORT**



**f** We're on social media! **ig**

1.800.567.3620 | WWW.THORINOX.COM

**MORE PRODUCTS**

