

24" x 12" STAINLESS EQUIPMENT STAND DSTAND-2412-GS

FEATURES

- ✓ Entirely made of high quality 18 gauge 430 stainless steel
- ✓ Dimensions: 24" x 12" x 22"
- ✓ Stronger and non-welded corners
- ✓ Galvanized undershelf & legs
- ✓ Easy to assemble



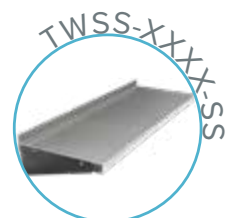
COMPLEMENTARY ACCESSORIES

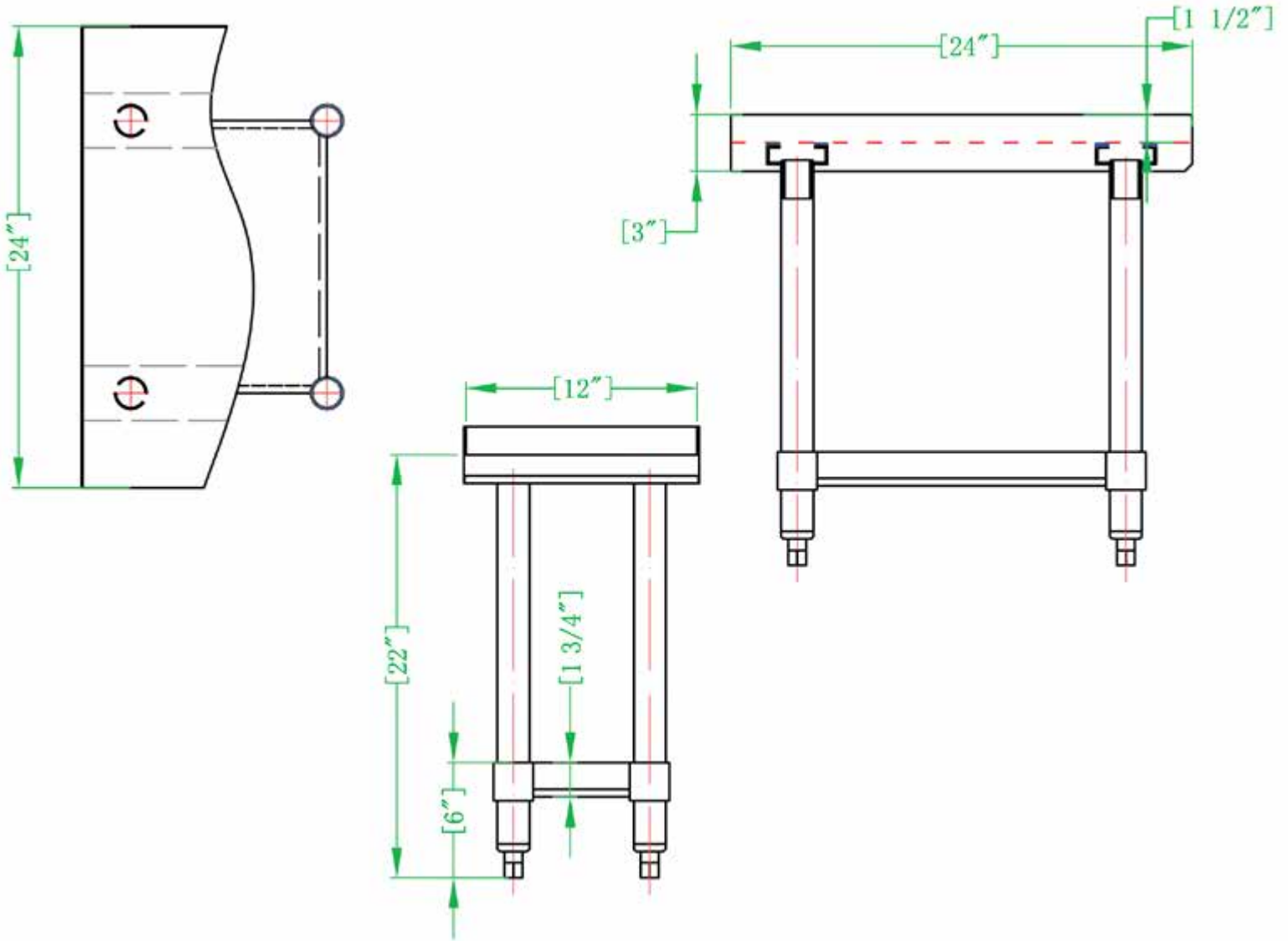
- ✓ Set of swivel casters, 2 regular & 2 with brakes



YOU MIGHT ALSO LIKE...

- ✓ Stainless Steel Cabinet
- ✓ Stainless Steel Shelf





ASSEMBLY/SUPPORT



We're on social media!

1.800.567.3620 | WWW.THORINOX.COM

MORE PRODUCTS

