

30" x 48" STAINLESS WORK TABLE

DSST-3048-BK

2022RV.1

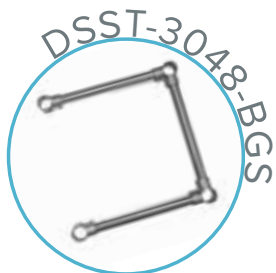
FEATURES

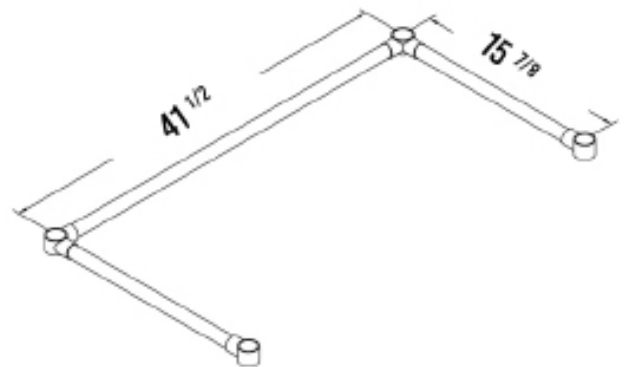
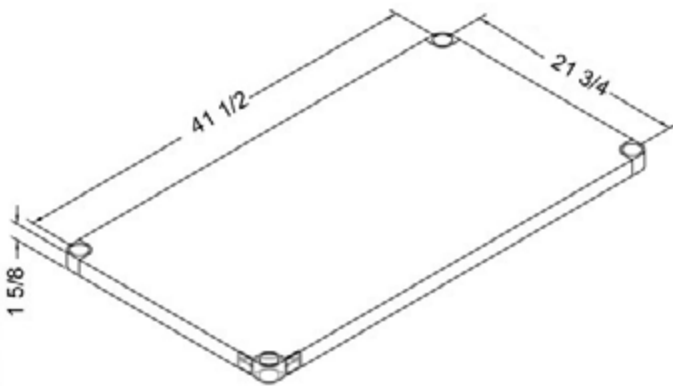
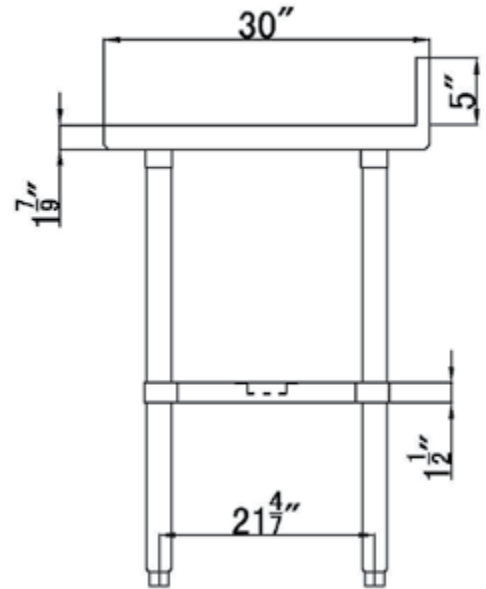
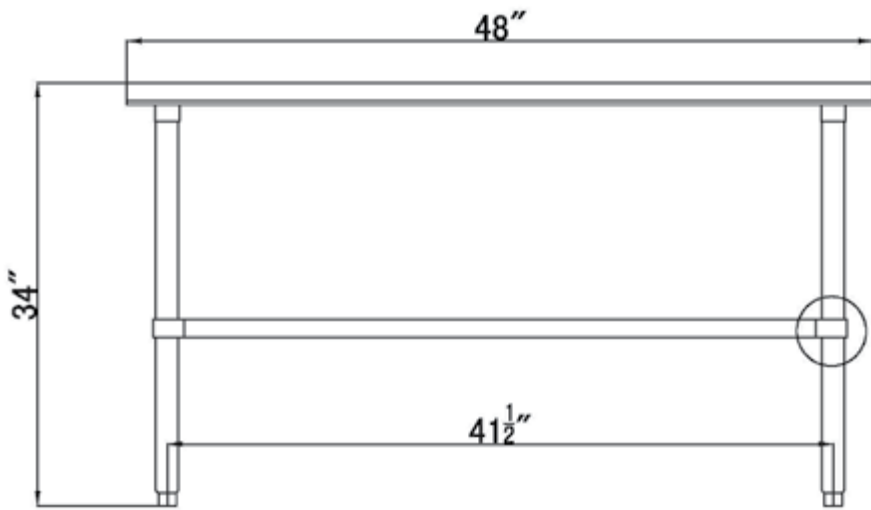
- ✓ Made with high quality 18 gauge 430 stainless steel
- ✓ Dimensions: 30" x 48" x 34" with 5" backsplash
- ✓ Comes with 21¹/₂" x 41¹/₂" x 1⁵/₈" undershelf
- ✓ Load capacity:
Top: 330lbs Bottom: 110lbs
- ✓ Knock down design: easy to assemble
- ✓ Package Dimensions 50" x 32" x 9"



OPTIONAL ACCESSORIES

- ✓ Brace bar kit
- ✓ Extra stainless steel undershelf
- ✓ Simple or double stainless steel drawer
- ✓ Set of swivel casters, 2 regular + 2 with brakes
- ✓ Adjustable stainless steel leg insert (max 2" for a total height of 36")





ASSEMBLY/SUPPORT



We're on social media!

MORE PRODUCTS

