

# 30" x 36" STAINLESS WORK TABLE

## DSST-3036-BK

2022RV.1

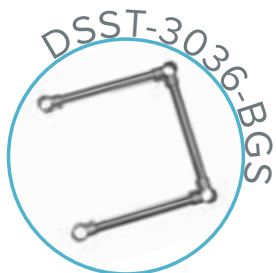
### FEATURES

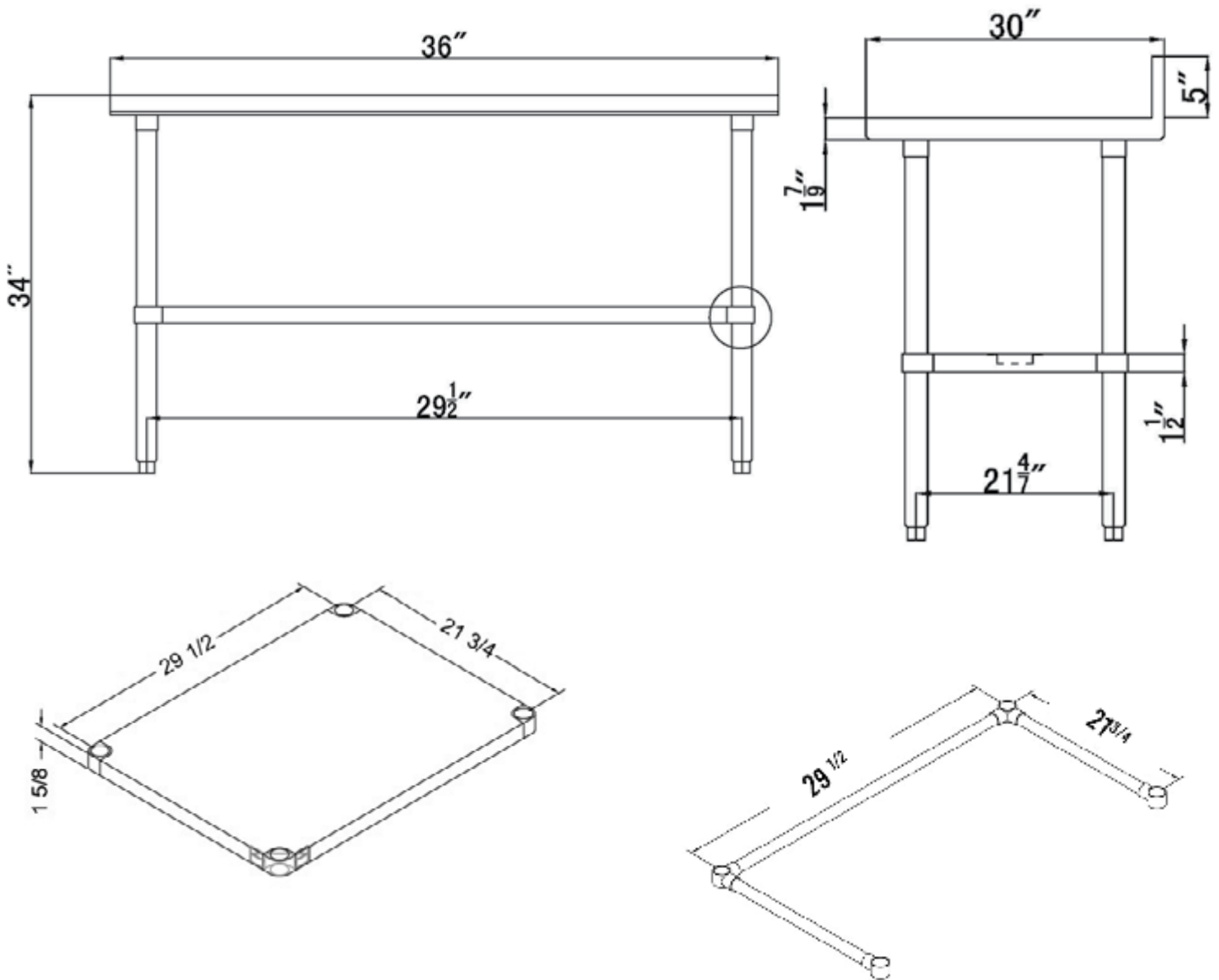
- ✓ Made with high quality 18 gauge 430 stainless steel
- ✓ Dimensions: 30" x 36" x 34" with 5" backsplash
- ✓ Comes with 21<sup>1/2</sup>" x 29<sup>3/4</sup>" x 1<sup>5/8</sup>" undershelf
- ✓ Load capacity:  
Top: 330lbs Bottom: 110lbs
- ✓ Knock down design: easy to assemble
- ✓ Package Dimensions 38" x 32" x 9"



### OPTIONAL ACCESSORIES

- ✓ Brace bar kit
- ✓ Extra stainless steel undershelf
- ✓ Simple or double stainless steel drawer
- ✓ Set of swivel casters, 2 regular + 2 with brakes
- ✓ Adjustable stainless steel leg insert (max 2" for a total height of 36")





ASSEMBLY/SUPPORT



We're on social media!

MORE PRODUCTS

