

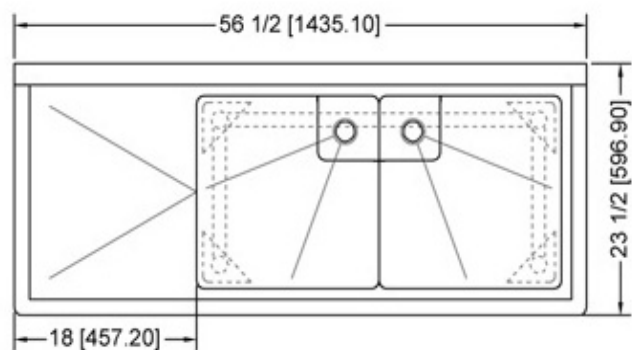
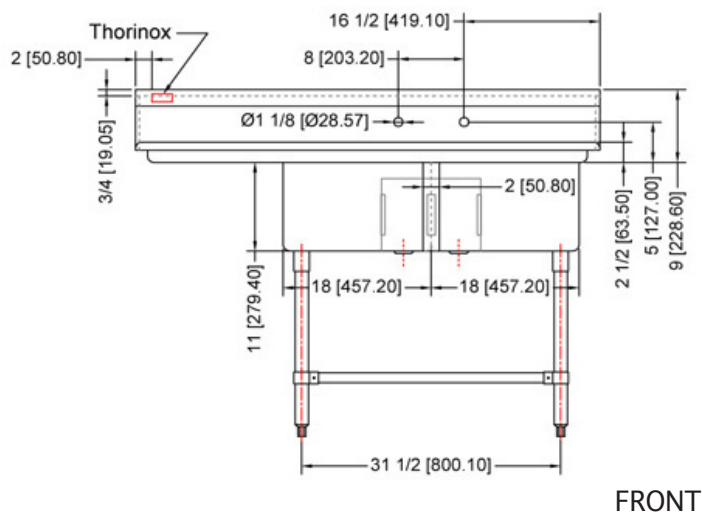
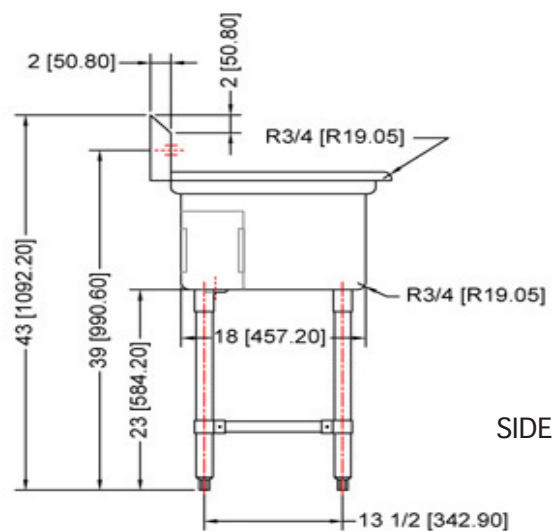


TDS-1818-L18 DOUBLE SINK, LEFT DRAINBOARD



Characteristics

- 304 stainless steel
- Well polished welded seams
- Die-stamped creased drainboards for positive drainage
- Curved corners and rolled edges
- 9" Backsplash with 45° return
- Stainless steel legs, braces, bulletfeet and socket
- Faucet width: 8"
- 18 gauge stainless steel



Distributed by:
DISTEX
www.distex.ca
Your Premium Partner